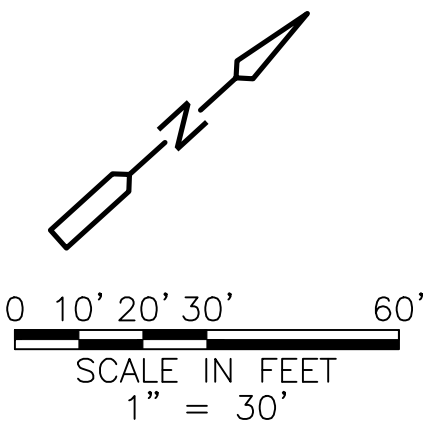


S:\ACAD\COB - CHICK LANE EST\WORKING\CHICK LANE EST By: sandefurdw Saved: 5/11/2020 3:22:06 PM Plotted: 5/12/2020 10:07:30 AM

©2016 CDM SMITH ALL RIGHTS RESERVED. REUSE OF DOCUMENTS, THESE DOCUMENTS AND DESIGNS PROVIDED BY PROFESSIONAL SERVICE, INCORPORATED HEREIN, ARE THE PROPERTY OF CDM SMITH AND ARE NOT TO BE USED, IN WHOLE OR PART, FOR ANY OTHER PROJECT WITHOUT THE WRITTEN AUTHORIZATION OF CDM SMITH.



REV. NO.	DATE	DRWN	CHKD	REMARKS

DESIGNED BY: A. WOELKE  
 DRAWN BY: D. SANDEFUR  
 SHEET CHK'D BY: \_\_\_\_\_  
 CROSS CHK'D BY: \_\_\_\_\_  
 APPROVED BY: \_\_\_\_\_  
 DATE: APRIL 2020

**CDM Smith**  
 9430 Research Boulevard, Suite 1-200  
 Austin, TX 78759  
 Tel: (512) 346-1100  
 TBPE Firm Registration No. F-3043

CITY OF BRYAN, TEXAS  
**CHICK LANE ELEVATED STORAGE TANK**

**PRELIMINARY SITE LAYOUT**

PROJECT NO. ---  
 FILE NAME: CHICK LANE EST  
 SHEET NO.  
**C-1A**

THIS DOCUMENT IS RELEASED FOR REVIEW PURPOSES UNDER THE AUTHORITY OF ALLEN D. WOELKE, P.E. 54386 ON May 12, 2020 IT IS NOT TO BE USED FOR CONSTRUCTION, BIDDING OR PERMIT PURPOSES.

Plotted: 5/12/2020 10:07:30 AM